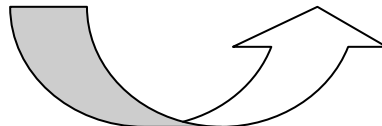
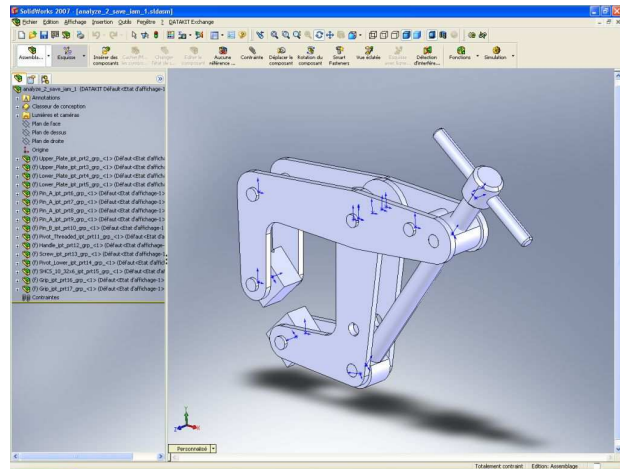
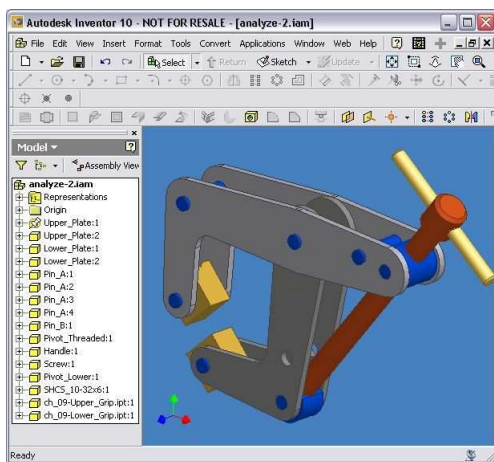




2007, November

Datakit announces its new SolidWorks plug-in that enables to import parts and assemblies from Inventor to SW

Santa Barbara, CA, USA and Lyon, France, 31 October 2007, Datakit, a leading company in the CAD Data Exchange field, announces the release of a SolidWorks plug-in capable of reading not only parts but also assemblies designed in Inventor V10, V11 and 2008. The plug-in operates from within SolidWorks. It does not require an Inventor licence.



Samad Elboustini, technical manager at Datakit explains: “our goal is to provide thousands of design offices using SolidWorks with an efficient, upgradable way of getting geometrical representations of Inventor assemblies and assembly trees into their usual design environment.” Please refer to this URL on the Datakit WEB site for the SolidWorks to Inventor new plug-in solution:

http://www.datakit.com/page_telechargements_plug.php?tele=18 , INVENTOR 3D to SOLIDWORKS (Plug-in SolidWorks)

Datakit backs its developments with a comprehensive project management capability and guarantees top-quality technical support to match its ambitions as a leading data exchange player. A stand-alone Inventor to IGES converter is also downloadable from Datakit’s Web site in the CrossCad/STA range.

Please refer to this URL on the Datakit WEB site for the Inventor to Iges translator:

<http://www.datakit.com>