

CrossCad /Ware Cad conversion engine



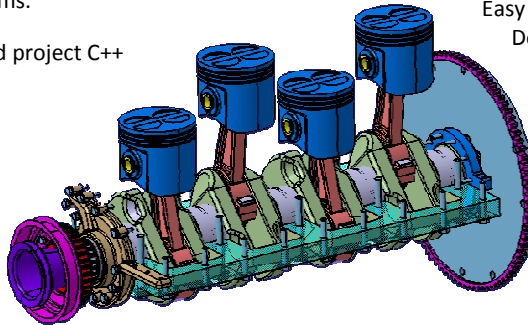
Datakit solution

Provide you a full-documented Application Programming Interface to enable interoperability among CAD systems.

API, full documentation, sample sources and project C++ based are provided.

Acis, Cadds, CatiaV5, CatiaV4, Cgr, Iges, Inventor, Jt, Pro/E, Solidedge, Step, Solidworks, Ug /NX, Vda, Parasolid...

- Assembly
- part
- Drawing
- Geometry
- Topology
- Embedded faceted model
- Pmi, Fdt
- Capture
- Piping
- Tubing
- Harness
- Cabling
- Scenes
- Kinematics
- Features
- Mock up
- Preview...



Why select Datakit libraries?

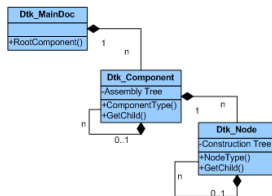
- Quickness of data treatment
- Easy to integrate
- Does not require CAD License
- Independant from CAD API
- Transparent to the end users
- Portable
- Advanced fonctionnalities
- Access multi formats CAD data, native or neutral
- Large range of entities covered (geometry, assemblies, PMI, features, Kinematics...)
- Full hand over the conversion process
- A unique and straightforward code in your application for all formats

```
Start API
Dtk_API * MyAPI = Dtk_API::StartAPI();
And Open Document
MyAPI->OpenDocument(inInputFile, outDoc);
```

Datakit data structure

Datakit librairies provide its generic data structure.

Please refer to our libraries specific documentation (DtkAPI.chm) for further information.



- Component, instanciation Node
- Body Node represents Brep and Wireframe
- Mesh Node represents Tesselated Geometry
- FdtAnnotation Node represents a set of FDT/GDT entities
- Drawing Node represents an additional orthonormal basis
- LayerFilter Node represents a set of visible layers
- Preview Node represents a jpeg picture for model
- ...

Compiler, OS

Visual Studio .Net : Windows 32 bit, 64 bit
Gcc, Linux 32 bit ,64 bit
contact us for other platforms

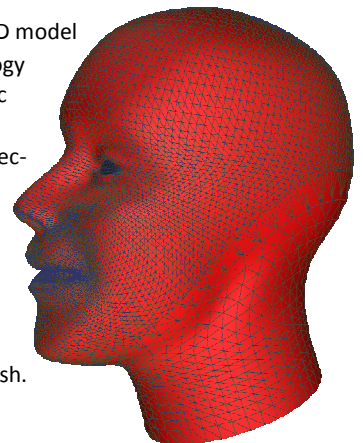
Different business models

Datakit offers several business models taking account of your growth and the increase of your sales volume, to establish each time an equal partnership.

Tesselation library is provided

This component is a library to be incorporated in a CAD environment. Its main functions are :

- Analyze the geometry of a CAD model
- Built automatically the topology according to a given geometric tolerance
- Point-out any geometric connectivity defaults larger than the given tolerance.
- Tools to define Domains
- A basic set of automatic triangulation methods .
- A basic set of checking and correction methods of the mesh.



Contact

To buy CrossCad/WARE, or get a free trial license, call us or log on to our website.

Phone: 04 78 39 63 69

Web : http://www.datakit.com/fr/crosscad_ware.php

Datakit is a privately-owned company specialised in CAD Data Exchanges and services founded in 1994 by Francis Cadin. Its very core target is even more the software companies, however, the translators are sold in different countries by a growing network of resellers or on line. Its clearly identified strategy lies on 3 major axis: international focus, close relationships with software editors, multiple fields of targeting.

www.datakit.com

HEADQUARTERS - 6 place des Terreaux - F-69001 LYON FRANCE, Tel +33 478 39 63 69 Fax +33478 28 42 48

Email: sales@datakit.com