

CrossCad/Ware - CAD API for your application

CAD import	
3Shape DCM	JT
ACIS	LAVA 3M
CADDS	OBJ
CATIA V4	Parasolid
CATIA V5	PLMXML
CATIA V6 / 3DEXPERIENCE	Procera
Cercon	ProE / Creo Parametric
CEREC - Sirona Dental	Revit
CGR	Rhino
Creo View	Solid Edge
DWG / DXF	SOLIDWORKS
IFC	STEP
IGES	STL
Inventor	UG NX
	VDA



CAD export
3DXML
3MF
ACIS
CATIA V5
CGR
COLLADA
FBX
gITF
IGES
JT
OBJ
Open CASCADE
Parasolid
PDF 3D
SOLIDWORKS
STEP
STL
UG NX

Datakit solution

Datakit provides a fully-documented API to enable **interoperability among CAD systems**. The toolkit allows to extract the characteristics of CAD data (2D or 3D) to integrate them in your application, or to write native and neutral CAD formats from your application data.

API, full documentation, sample sources and C++ based project are provided.

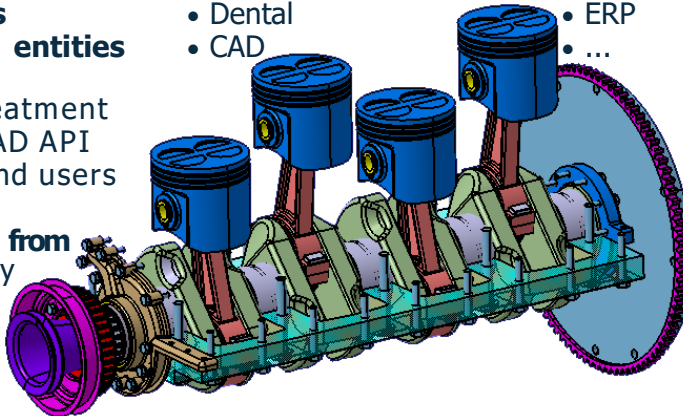
Why select Datakit API?

- Access **multi formats CAD data**, native or neutral with a **single API**
- **Easy to integrate** in your application
- Does **not require CAD licenses**
- **Control** of the whole conversion process
- Advanced **functionalities**
- **Large range of entities** covered
- **Quickness** of data treatment
- **Independent** from CAD API
- **Transparent** to the end users
- **Portable**
- Possibility to **stand out from your competitors**, by providing innovative features

For all types of software

Datakit technology can be useful for any ISV wanting to **integrate CAD data** in its application. All domains can benefit from it, including:

- Visualization
- Simulation
- Metrology
- Dental
- CAD
- CAM
- CAE
- CAQ
- BIM
- EDA
- PLM
- ERP
- ...



Type of data supported

- **Assembly structures, BOM**
- **Mesh** representation (for visualization)
- **Product Manufacturing Information** (PMI, FD&T, GD&T, 3D tolerancing)
- Embedded faceted model
- **Metadata** (Material, Supplier, Cost...)
- **File previews** as 2D thumbnail (JPEG / PNG / GIF)
- **Parts**
- **Drawings**
- **Geometry**
- **Topology**
- **Catpure**
- **Piping**
- **Tubing**
- **Features**
- **Harness**
- **Cabling**
- **Scenes**
- **Kinematics**
- **Mock up**
- **File properties**
- **Product Data**
- ...

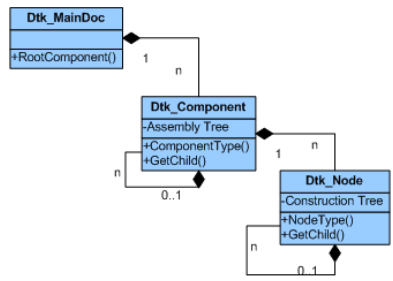
Two integration methods

CrossCad/Ware SDK toolkit allows Independent Software Vendors to integrate completely all CAD data into their own process. This gives a powerful grasp on the transferred data.

CrossCad/Ware FileToFile transfers CAD data using intermediary files. It is an easy solution to test the robustness and the capabilities of the components.

Datakit data structure

Datakit libraries are based on a generic data structure. This structure is detailed in our specific documentation.



Various business models

Datakit offers **several business models** taking account of your growth and the increase of your sales volume, to establish each time **an equal partnership**.

Compiler, OS

- Visual Studio .NET, **Windows** 32 & 64 bit
- Gcc, **Mac OS, Linux** 32 & 64 bit
- Contact us for other platforms