

Datakit value to CAQ and inspection software vendors

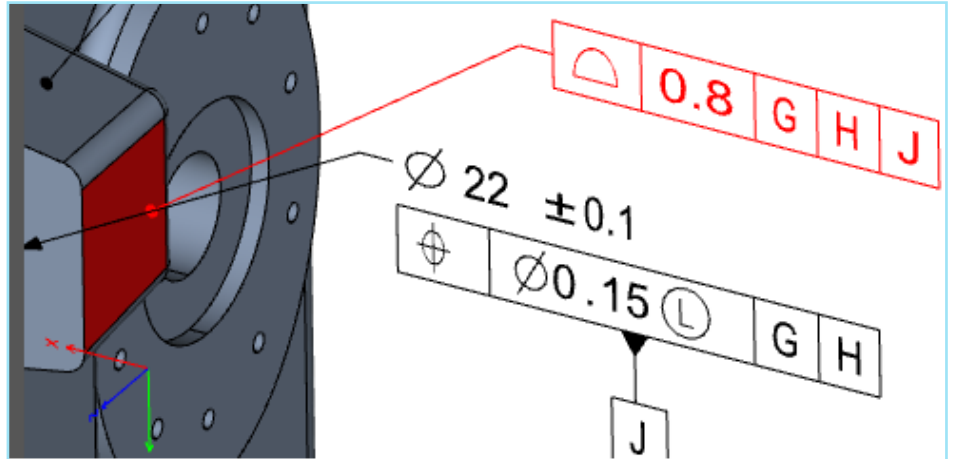
Datakit has been working for more than a 15 years on providing valuable assets for **Quality Inspection** purpose.

The company is developing and providing Software Development Toolkits (SDK) to extract **characteristics, also known as PMIs, from original native CAD data**, without the need of any dedicated CAD software license:

The toolkit is a great help to extract the drawing characteristics (2D or 3D), and to publish **inspection instructions** documents.

The exposed data includes **nominal and tolerance** values for a variety of entities:

- Datums, Targets, References.
- Dimensions: Linear, Angular, Radial...
- Geometrical Tolerances: Flatness, Cylindricity, Surface Profile, Position, Angularity...
- Roughness and Welding.



Property	Value
PMI Type	Geometrical Tolerance
Tolerance Type	Surface Profile
Conn0	Body.9260a537867add37aaa0281caf41017b5f78209260a537867add37
First Reference	G
Second Reference	H
Third Reference	J
Value	0.8

Exposed characteristics can be used in the quality inspection process in identifying critical points of interest.

Datakit's **CrossManager** will transfer CAD files to 2D or 3D-PDF formats to visualize and share original CAD data, while **Cross-Cad/Ware SDK** toolkit will allow Independent Software Vendors to integrate these data into their own process.

CrossManager is also supporting conversion of native 2D and 3D CAD data to **DXF** and **STEP AP242**... thus transferring PMI representation to standard CAD formats.

