

Datakit for CAM, CMM & Control vendors

About Datakit

Datakit was founded in 1994 to develop and promote CAD data exchange solutions and has grown into a world-leading supplier of CAD data exchange technologies used by industrial companies as well as major software vendors worldwide.

It offers standalone converters, plug-ins and Software development kits (SDK) that analyze, heal and export a large number of CAD formats.

Datakit takes into account a wide range of geometrical and semantic data (assemblies, annotations, metadata, PMI...) through its varied range of products.

Datakit has more than 100 active software partners integrating its technology this year.

Datakit offers a range of services

- **CrossManager**
StandAlone Software & File-To-File DLLS



- **CrossCad / Plg**
Plug-ins for Rhino, & SolidWorks



- **CrossCad / Ware**
Datakit API/SDK
dtkLib



- Complete CAD **database migration**
- **Counseling and help** for data conversion
- **Specific conversion scripting**

Contact information

www.datakit.com
sales@datakit.com

Headquarters & R&D

90, avenue Félix Faure
69003 Lyon
France

Phone: +33 478 396 369

Critical native CAD data

Datakit has been working for a decade on providing valuable assets for **CAM** purpose. The company is shipping **toolkits** to extract **geometric, machining features** and **Product Manufacturing Information (PMI)**, directly from native **CAD** data : Dassault's **CatiaV5/6™**, **SolidWorks™**, Siemens **NX™**, PTC **Creo™**, **STEP**, without the need of any separate CAD software license.

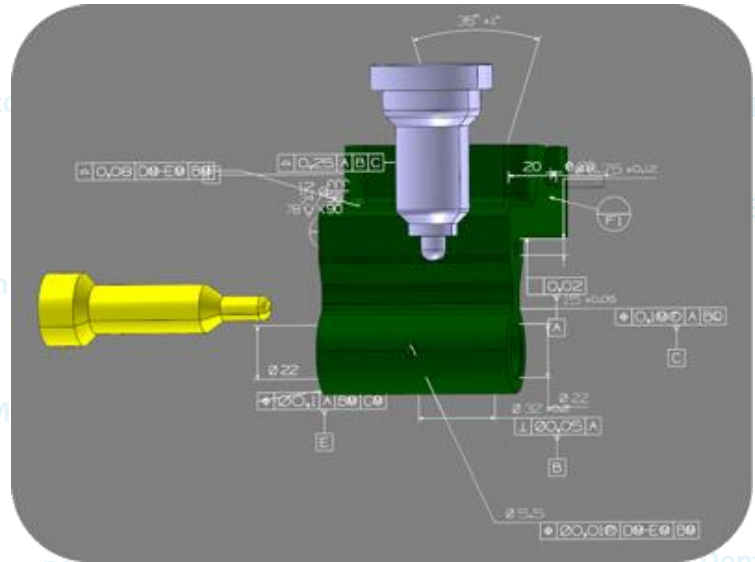
This includes **Hole Machining and Pattern CAD native information**, that can be used to clearly **identify features** directly from the native CAD data. **Datakit SDK** exposes various critical **data for manufacturing**, compared to geometric feature recognition post-process :

- **Hole design numerical values:** positioning, sketch, depths, diameters, angles, direction.
- **Semantic data:** hole type (simple, tapered, counter bored, sunk, drilled etc...), tolerancing (can include standard definition), pitch and thread information.
- Links to sketch, support and generated geometries.
- **Pattern / Toolpath information:** rectangular, circular, user-defined, instances.

Support of Product Manufacturing Information & tolerancing

In addition to Machining Features, Datakit provides **Product Manufacturing Information (PMI)** through **APIs** designed for both **semantic and rendering** purpose. Valuable **tolerancing, surfacing** and **geometric associativity** are supported for various **PMI** entities :

- **Dimensions:** Linear, Angular, Radial...
- **Geometrical Tolerances:** Flatness, Cylindricity, Surface Profile, Position, Angularity...
- **Roughness and Welding.**



Support of specific CAM process and manufacturing data

While Datakit is eager to help CAM vendors **import CAD data**, the company is investigating support of specific **CAM Process and Manufacturing** data as well, including :

- Tool Definitions, Tool Paths
- Machining Operations, Strategies and Process.