

# Datakit value to CAM, CMM & control vendors

## About Datakit

Datakit is a privately-owned company specialised in CAD Data Exchanges and services founded in 1994 by Francis Cadin. Its very core target is even more the software companies, however, the translators are sold in different countries by a growing network of resellers or on line. Its clearly identified strategy lies on 3 major axis: international focus, close relationships with software editors, multiple fields of targeting.



## Datakit offers a range of services

- CrossManager  
StandAlone Software & File-To-File DLLS
- CrossCad/Plg  
Plug-ins for various software, Rhino, SolidWorks, OpenCascade, 3ds Max, ThinkDesign...
- CrossCad/Ware  
Datakit API/SDK dtkLib
- Complete CAD data-base migration
- Counseling and help for data conversion
- Specific conversion scripting



## Contact information

[www.datakit.com](http://www.datakit.com) / [contact@datakit.com](mailto:contact@datakit.com)

### Headquarters & Technical Agency

6, place des Terreaux  
F-69001 Lyon  
Phone: +33 478 396 369

### Administration & Sales

2, rue des Ecoles  
F-11800 Floures  
Phone: +33 468 790 767  
Fax: +33 426 299 867

Datakit has been working for a decade on providing valuable assets for CAM purpose. The company is shipping toolkits to extract geometric, machining features and Product Manufacturing Information (PMI), directly from native CAD data : Dassault's CatiaV5/6™, SolidWorks™, Siemens NX™, PTC Creo™, STEP, without the need of any separate CAD software license.

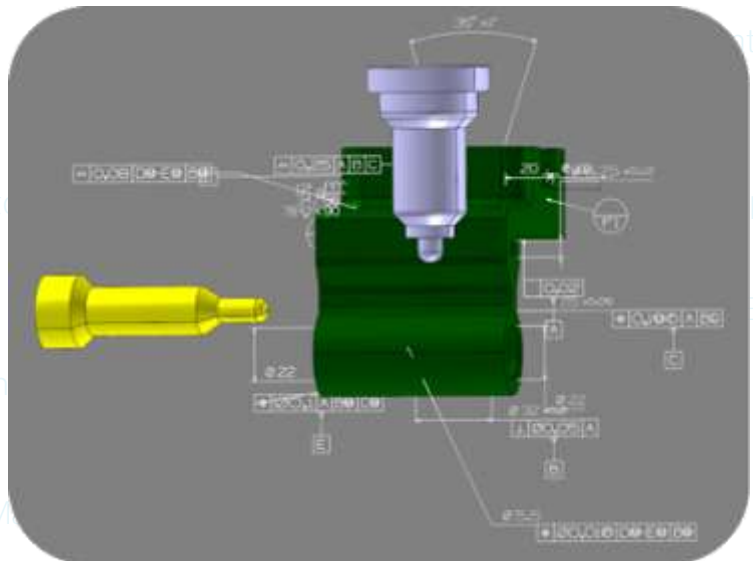
## Critical native CAD data

This includes Hole Machining and Pattern CAD native information, that can be used to clearly identify features directly from the native CAD data. Datakit SDK exposes various critical data for manufacturing, compared to geometric feature recognition post-process :

- Hole design numerical values: positioning, sketch, depths, diameters, angles, direction.
- Semantic data: hole type (simple, tapered, counter bored, sunk, drilled etc...), tolerancing (can include standard definition), pitch and thread information.
- Links to sketch, support and generated geometries.
- Pattern / Toolpath information: rectangular, circular, user-defined, instances.

## Support of Product Manufacturing Information & tolerancing

Besides of Machining Features ability, Datakit provides Product Manufacturing Information (PMI) through APIs designed for both semantic and rendering purpose. Valuable tolerancing, surfacing and geometric associativity is supported for various PMI entities :



- Dimensions: Linear, Angular, Radial...
- Geometrical Tolerances: Flatness, Cylindricity, Surface Profile, Position, Angularity...
- Roughness and Welding.

## Support of specific CAM process and manufacturing data

While Datakit is eager to help CAM vendors import CAD data, the company is investigating support of specific CAM Process and Manufacturing data as well, including :

- Tool Definitions, Tool Paths
- Machining Operations, Strategies and Process.